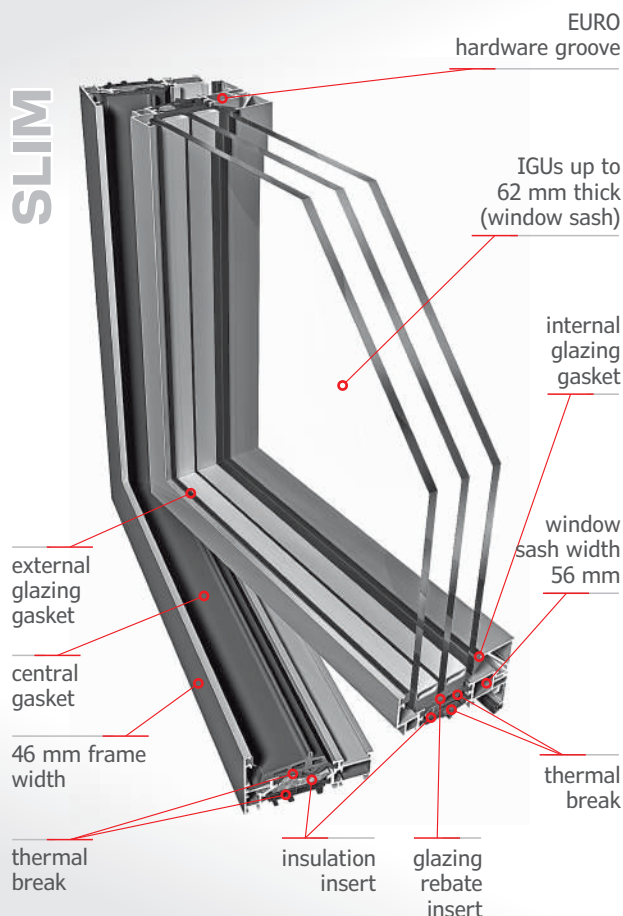
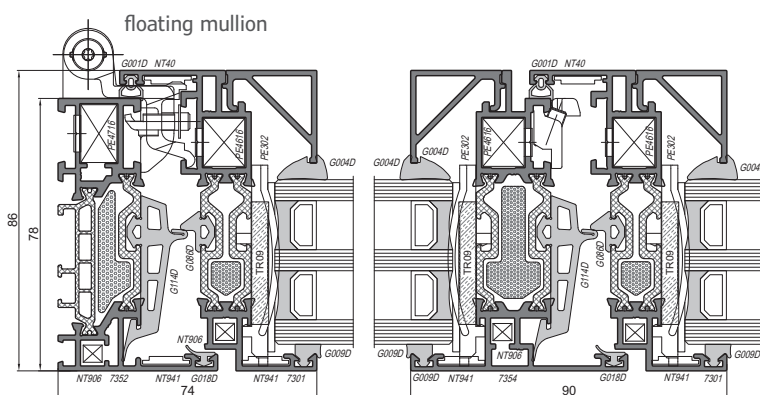


SLIM



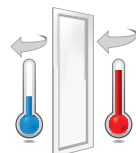
An insulated profile system with the Euro hardware groove

- the narrow PE78N SLIM and PE78N SLIM INDUSTRIAL profiles were designed with modern interiors with large glazings in mind
- 90 mm wide floating mullion perfectly complements the system
- PE78N SLIM window sashes flush with the frame on the outside
- PE78N SLIM INDUSTRIAL windows perfect for tall loft spaces due to industrial design of profiles
- different thermal insulation variants with different insulation inserts: PE78N, PE78N+, PE78NHI



TECHNICAL PARAMETERS

Filling thickness	frame: 13 - 61 mm, sash: 26 - 62 mm
Frame depth	slim: 78 mm, slim industrial: 100 mm
Sash depth	slim: 86 mm, slim industrial: 96 mm
Maximum sash dimensions	L 1000 x H 3000 mm L 1500 x H 1700 mm
Maximum sash weight	180 kg
Air permeability	class 4
Watertightness	class E1500
Thermal insulation	U_f from 1.9 W/(m ² K) U_w from 0.80 W/(m ² K)
Resistance to wind load	class C5/B5
Certification	type testing in acc. with EN 14351-1:2006+A2:2016-09



$U_w = 0.80 \text{ W}/(\text{m}^2\text{K})$

*reference construction dimensions: L 1480 x H 2180 mm
 $U_g = 0.5 \text{ W}/(\text{m}^2\text{K})$, triple glazing

SLIM INDUSTRIAL

